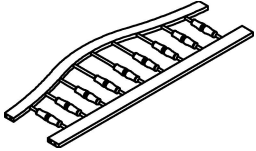



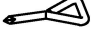

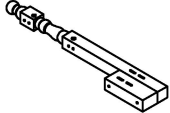



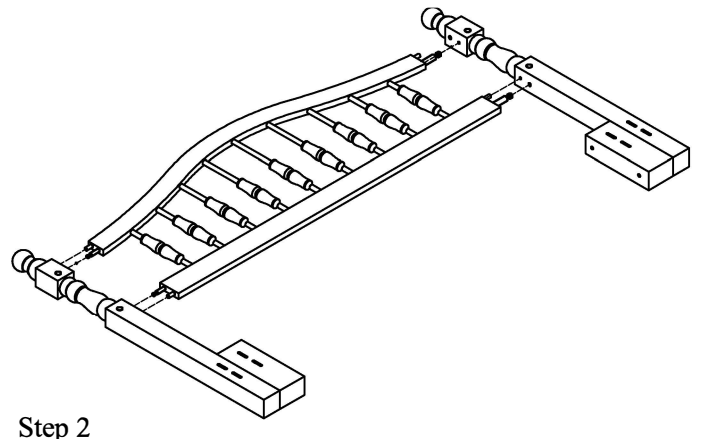
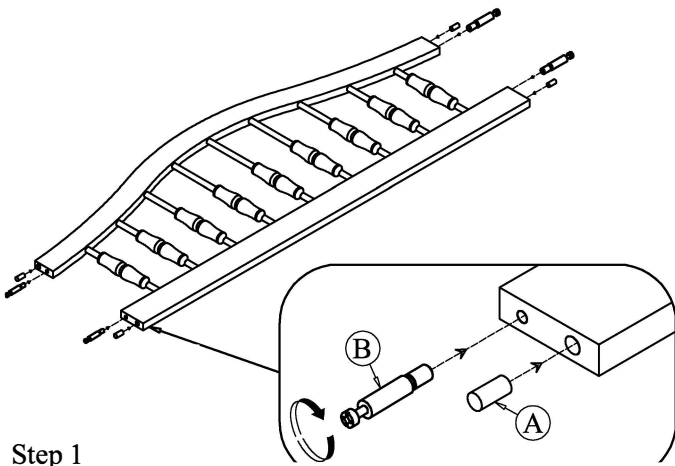
# ASSEMBLY INSTRUCTIONS

## Full/Queen Headboard (Traditional Style)

### PARTS LIST

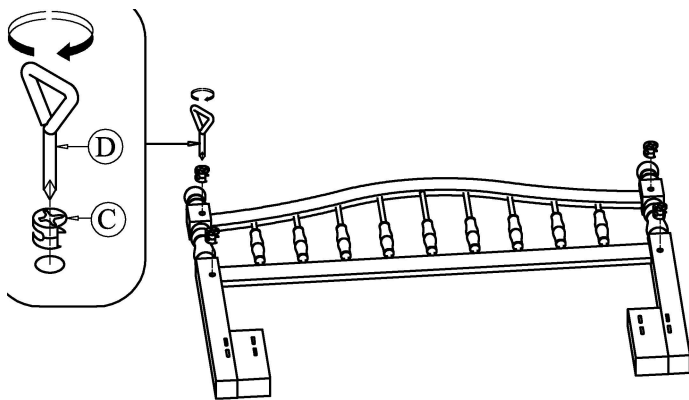
### HARDWARE LIST

Code	Description	Q'ty	Code	Description	Q'ty
1 . Headboard		1 pc	A . Dowel 10x50mm		4 pcs
			B . Screw 1/4" x 40mm		4 pcs
			C . Cam lock Ø15		4 pcs
			D . Screw driver		1 pc
			E . Allen key 4mm		1 pc
2 . Legs		2 pcs	F . Bolt 1/4"x85mm		4 pcs
			G . Flat washer		8 pcs
			H . Nut 1/4"		4 pcs

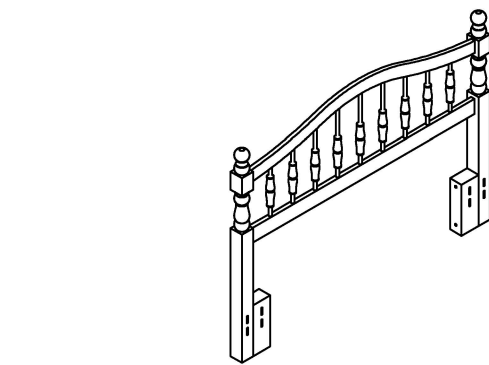


Step 1

Step 2



Step 3



Step 4